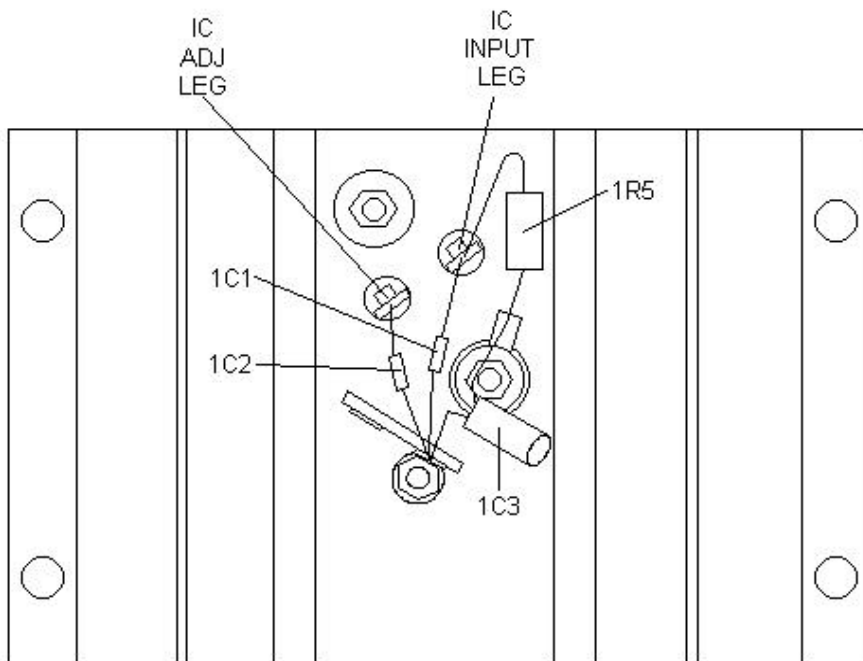
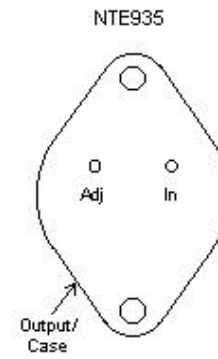


TOP VIEW



BOTTOM VIEW

DRAWING TITLE		Charge Regulator Assembly	
LOCATION 116 S. Prairie Ave. Waukegan, IL. 60085			
PROJECT NO.	001	DRAWN BY:	<i>John R. Schaefer</i> 18 Nov 97
SCALE:	Actual Size	DOC NAME:	Charge Regulator Assy.drw
Power Backup System		DOC LOCATION: G:\John\Power Backup	
		DRAWING NO.	SCH-001-019
			○ REV