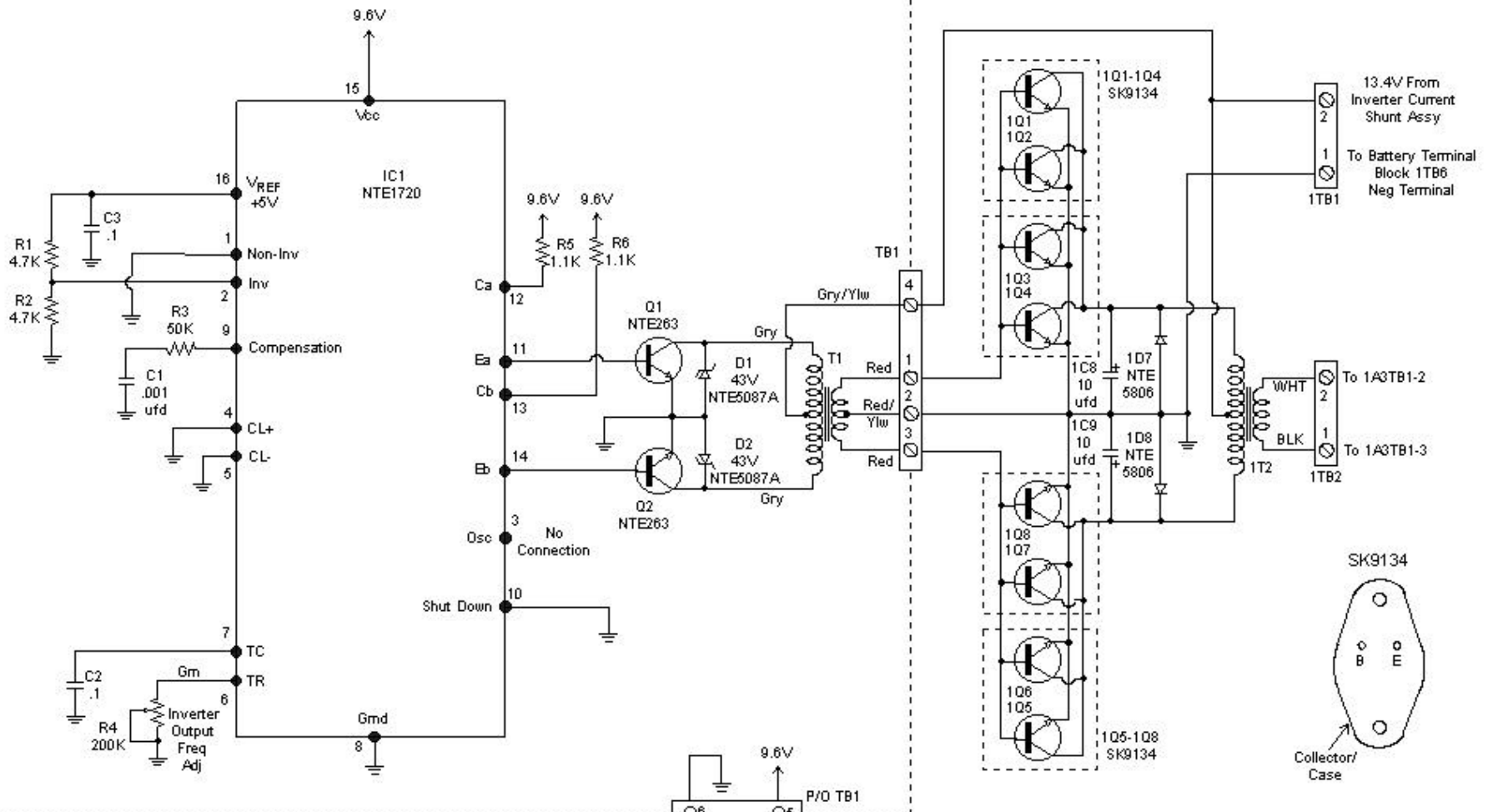
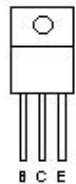


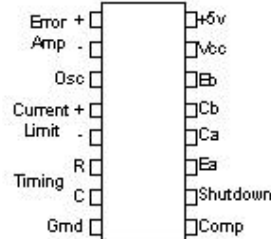
1A9 Inverter PCB



NTE263



NTE1720



DRAWING TITLE		Inverter Schematic	
LOCATION 116 S. Prairie Ave. Waukegan, IL. 60085			
PROJECT NO.	001	DRAWN BY:	John R. Schaefer 26 Mar 98
SCALE:	None	DOC NAME:	Inverter Scat.drw
Power Backup System		DOC LOCATION:	G:\ohn\Power Backup
		DRAWING NO.	SCH-001-021
			2 REV